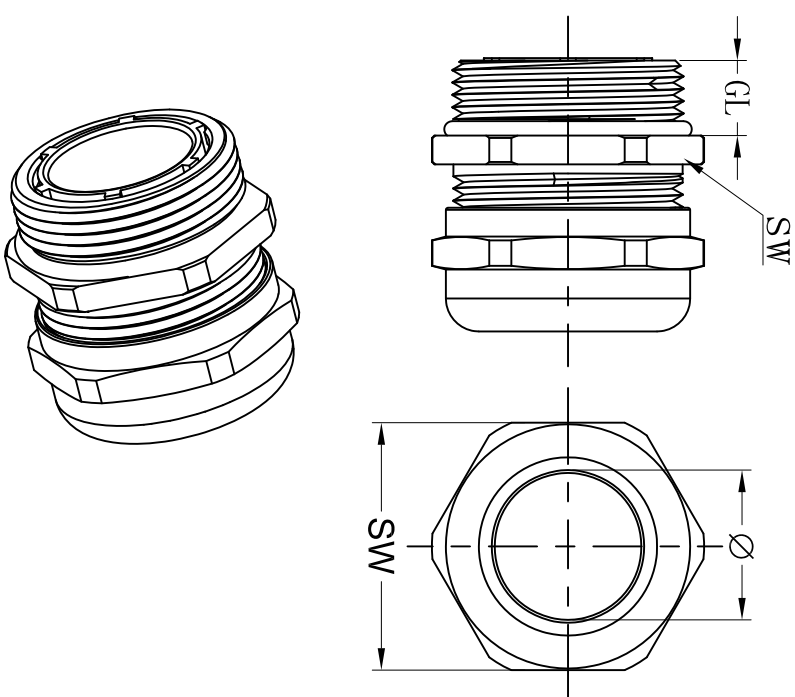


REVISION RECORD				
REV	ECN	DESCRIPTION	DRFT	DATE

Metric	PG	Claping range (∅)	SW	GL	Type
	Pg7	3-6.5	14	6.5	DDL-PG7M
	Pg9	4-8	17	7	DDL-PG9M
	Pg11	5-10	20	8	DDL-PG11M
	Pg13.5	6-12	22	8	DDL-PG13.5M
	Pg16	8-14	24	8	DDL-PG16M
	Pg21	13-18	30	8	DDL-PG21M
	Pg29	18-25	40	9	DDL-PG29M
	Pg36	22-32	50	10	DDL-PG36M
	Pg42	31-38	58	10	DDL-PG42M
	Pg48	37-44	64	12	DDL-PG48M
M12x1.5		3-6.5	14	6.5	DDL-M12M
M16x1.5		5-10	18	7	DDL-M16M
M20x1.5		6-12	22	8	DDL-M20M
M25x1.5		13-18	30	8	DDL-M25M
M32x1.5		18-25	40	9	DDL-M32M
M40x1.5		22-32	50	10	DDL-M40M
M50x1.5		30-38	58	10	DDL-M50M
M63x1.5		37-44	68	12	DDL-M63M



**B** Metal Cable gland  
 Material: Brass nickel plated

**B** Seal Material: NBR  
 Degree of protection: IP68

**A** Press seal material: PA  
 Temperature range: -40~100°C

DETACHED LISTS			
PART NO.:	/	NAME:	<b>DEGSON</b> ® NINGBO DEGSON ELECTRICAL CO., LTD 宁波高松电子有限公司
APPD:			Metal Cable gland
CHKD:			
DRFT: Mr. Yang2016.08.18	TITLE: CUSTOMER DRAWING	REV	DO-1
		SHEET	1/1
		SCALE	