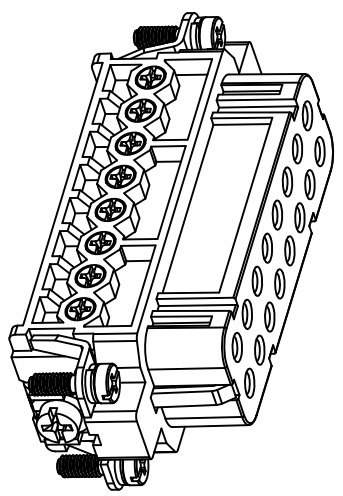
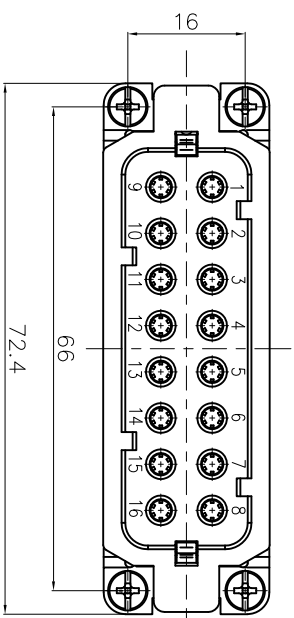
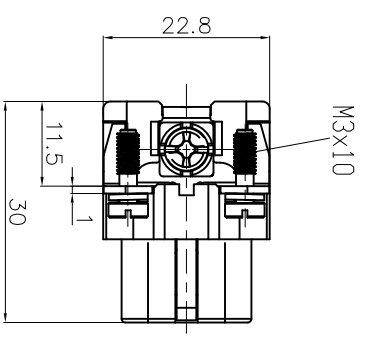


REVISION RECORD				
REV	ECN	DESCRIPTION	DRFT	DATE

Technical characteristics:  
 Specifications  
 DIN EN 60 664-1  
 DIN EN 61 984

- Inserts
- 01. Number of contacts : 16(17-32)+PE
  - 02. Rated Current : 16A
  - 03. Rated Voltage : 250V
  - 04. Pollution degree : 3
  - 05. Rated impulse voltage : 4kv<sup>10</sup>
  - 06. Insulation resistance :  $\geq 10 \Omega$
  - 07. Material: Polycarbonate
  - 08. Rated voltage acc. to UL/CSA: 600V
  - 09. Limiting temperatures : -40°C ~ +125°C
  - 10. Flammability acc. to UL94: V0
  - 11. Mechanical working life (mating cycles) :  $\geq 500$

- Contacts
- 01. Material: Copper alloy
  - 02. Surface: hard-silver plated
  - 03. Contact resistance :  $\leq 1m\Omega$
  - 04. Terminal : Screw terminal
  - 05. Wire gauge : 1.0-2.5mm<sup>2</sup> (AWG 18-14)
  - 06. Tightening torque : 0.5Nm
  - 07. Stripping length : 7.5mm
  - 08. Rohs Compliance



DETACHED LISTS			
PART NO.:	/	NINGBO DEGSON ELECTRICAL CO., LTD	
APPD:		DA-016-F	
CHKD:		NINGBO DEGSON ELECTRICAL CO., LTD	
DRFT:	YANG	TITLE:	CUSTOMER DRAWING
	2016.07.25	DRAWING NO.:	DA-016-F-E01
		SCALE:	DO NOT SCALE DRAWING
		THIRD ANGLE PROJECTION	SCALE 1:1