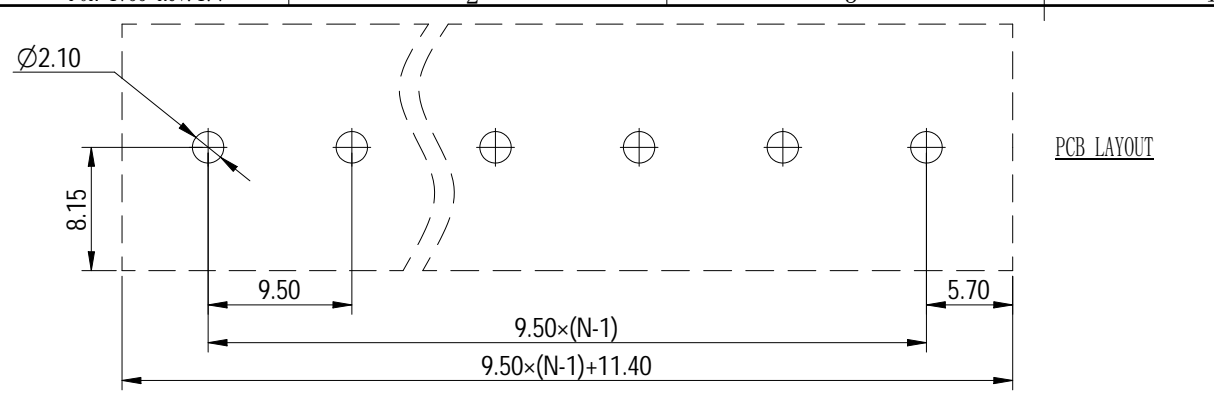


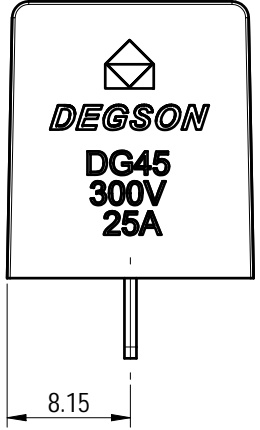
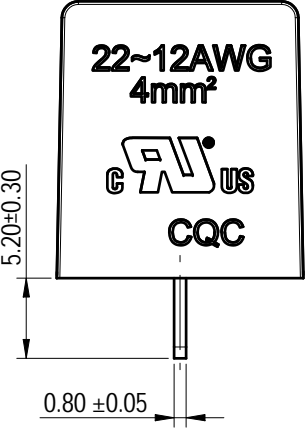
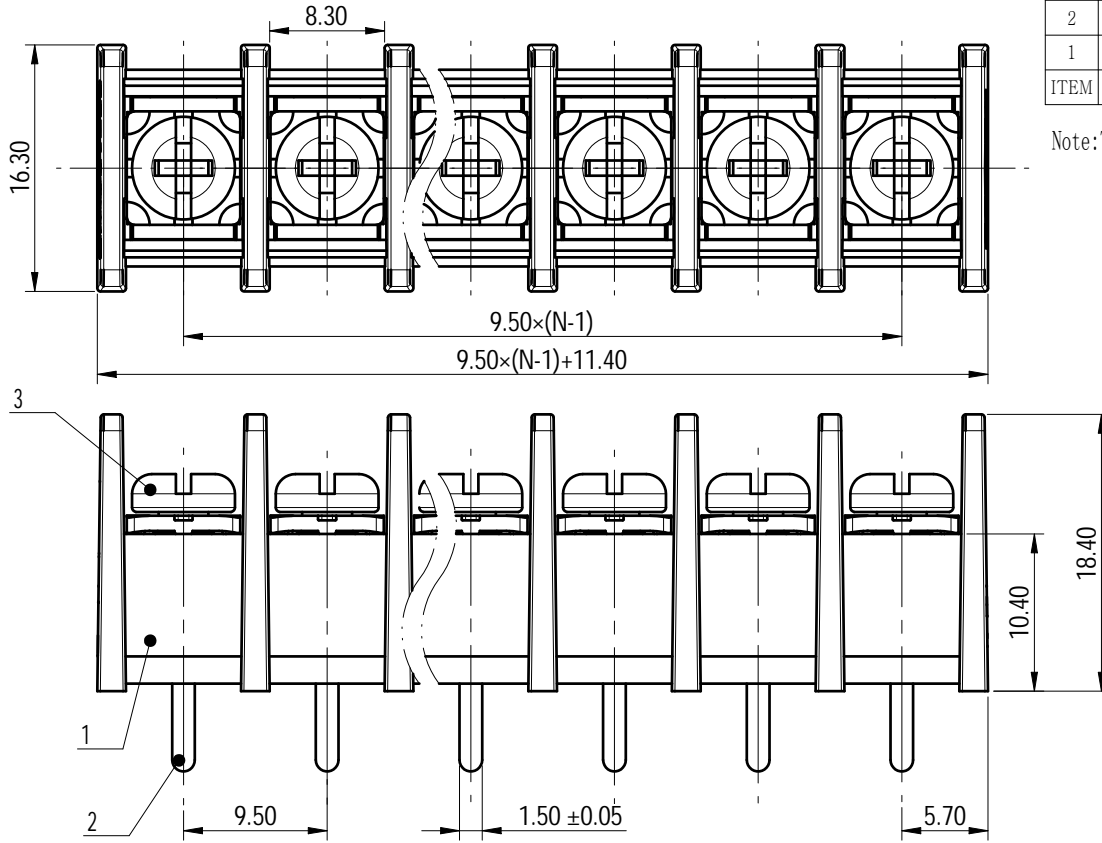
Transfer or duplication of this document as well as the utilization or communication of its contents are prohibited unless authorized in writing by Degson. All rights reserved for patent. 未经授权复制或传播本文件内容，或在本文件基础上进行再加工、复制或再加工后使用，均构成侵权。

FOR-1755 Rev. 1.7



未注公差/General tolerances (mm)												0.1/10	
0	>3	>6	>10	>18	>30	>50	>80	>120	>180	>250	>315		>400
±0.12	±0.18	±0.22	±0.26	±0.31	±0.37	±0.57	±0.80	±0.93	±1.05	±1.15	±1.60	±2.20	±2.50

UL 标准/UL Standard:	B	C	D
额定电压/电流/Rated Voltage(V)/Current(A)	300/25	/	/
IEC 标准/IEC Standard:			
过压类别/Overvoltage Category/污染等级/Pollution Degree	III/3	III/2	II/2
额定电压/电流/Rated Voltage(V)/Current(A)	450/32	/	/
额定脉冲电压(KV)/Rate Impulse Voltage(KV)	4	/	/
螺丝扭矩/Torque Tightening(N·m/Lb.in)	M4, 1.2/12.24		
线径范围(硬线和软线)/Wire Range(rigid and flexible)(AWG/mm²)	22~12/0.5~4.0		
间距/Pitch(mm)/线数范围/Poles	9.50/N=02~26P		
使用温度范围/Operating temperature(°C)	-40~+105		
符合RoHS环保要求/Conform to RoHS	Yes		



Note: The A&Z(H) in the name means: A(H) and Z(H).

<b>DEGSON</b>		MATERIAL:	SURFACE/COLOR:	
APPD: 蓝贵凡	2022.11.21	MAT NO./REV: - / 00	MAT STATUS: 批量	
CHKD: 曹利彬	2022.11.21	NAME		
DRFT: 委员洁	2022.11.21	DG45C-B-XXP-1Y-00A&Z(H)		
REV	ECN	DESCRIPTION	DRFT	DATE
00				
DRAWING NO. 200120284		TYPE CUSTOMER DRAWING	DRAWING STATUS 已发布	SCALE 2:1
SHEET 1/1				

REV	ECN	DESCRIPTION	DRFT	DATE
00				

1 2 3 4 5 6