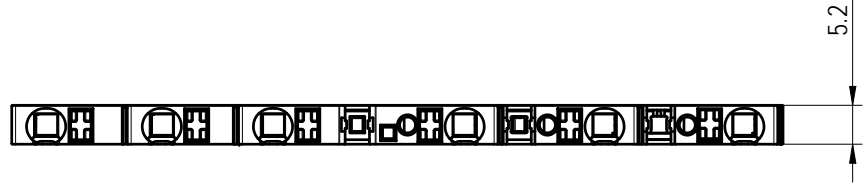
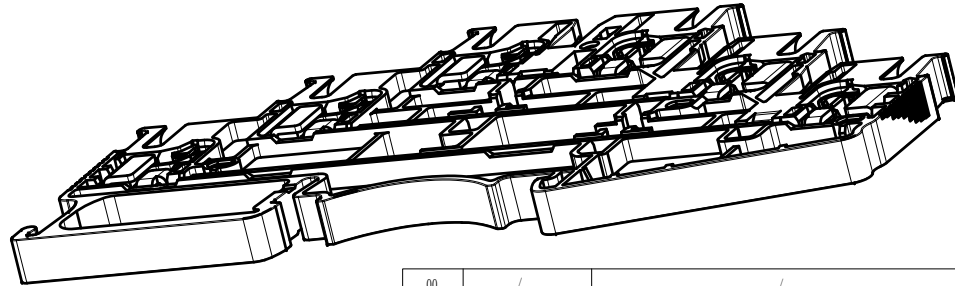
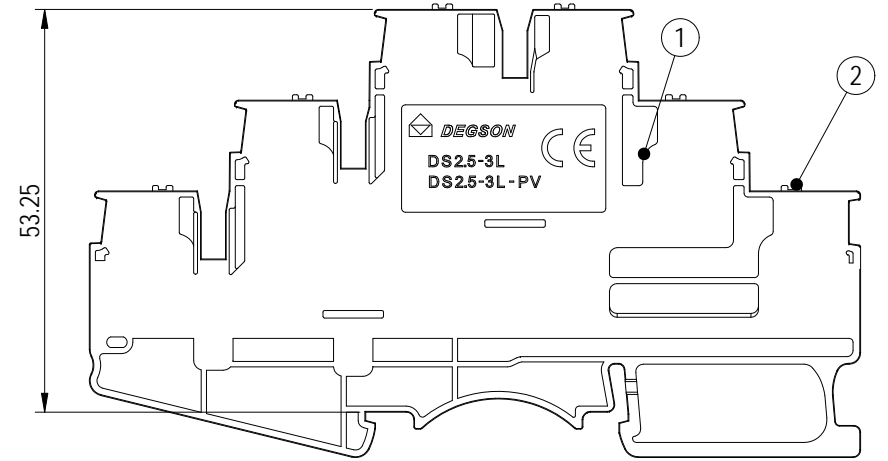
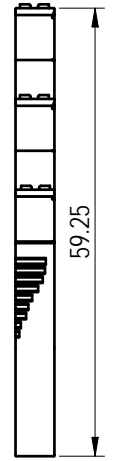
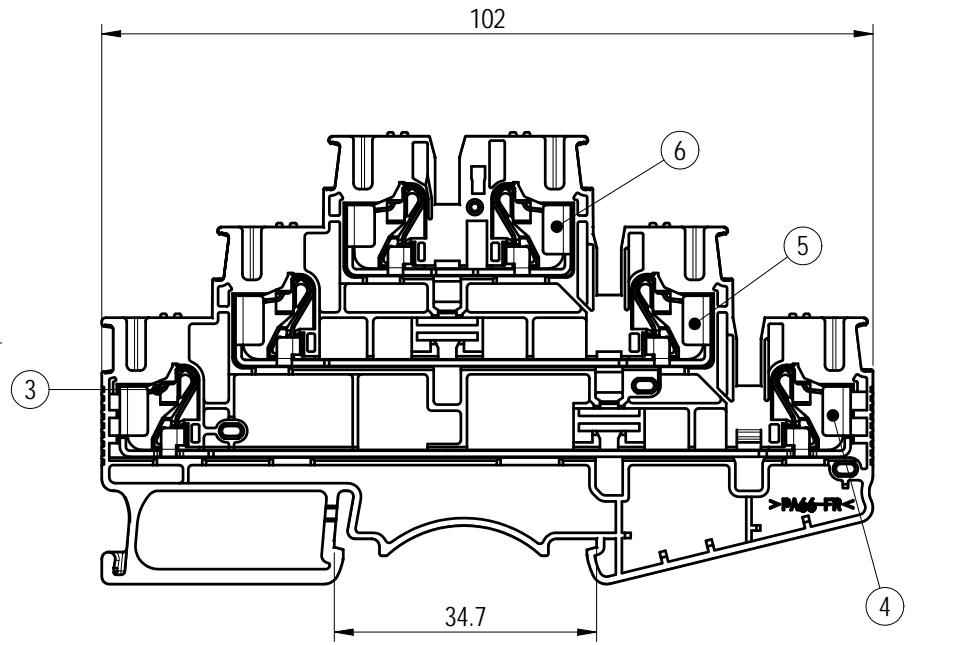


Transfer or duplication of this document as well as the utilization or communication of its contents are prohibited unless authorized in writing by Degson. All rights reserved for patent, utility model or design registrations. 除专利、实用新型、外观设计、商标、注册、著作权等文件外，所有权利均保留。未经授权，禁止复制或传播本文件内容。

未注公差/General tolerances (mm)												0.1/10 ±2'	
0	>3	>6	>10	>18	>30	>50	>80	>120	>180	>250	>315		>400
~3	~6	~10	~18	~30	~50	~80	~120	~180	~250	~315	~400	~500	
±0.12	±0.18	±0.22	±0.26	±0.31	±0.37	±0.57	±0.80	±0.93	±1.05	±1.15	±1.60	±2.20	±2.50



UL 标准/UL Standard:	B	C	D
额定电压/电流/Rated Voltage(V)/Current(A)	300/20	300/20	600/5
IEC 标准/IEC Standard:			
过压类别/Overvoltage Category/污染等级/Pollution Degree	III/3	III/2	II/2
额定电压/电流/Rated Voltage(V)/Current(A)	500/20	/	/
额定脉冲电压(KV)/Rate Impulse Voltage(KV)	6	/	/
最大负载电流/Maximum load current	24A (具有4mm²导线横截面, 刚性 (with 4 mm² conductor cross section, rigid))		
线径范围(硬线和软线)/Wire Range(rigid and flexible)(AWG/mm²)	26~12 / 0.2~2.5&4(sol)		
间距/Pitch(mm)/线数范围/Polos	5.2/N=01P		
剥线长度/Stripping length(mm)	10~12		
使用温度范围/Operating temperature(°C)	-40~+105		
符合RoHS环保要求/Conform to RoHS	Yes		
标准颜色编号/Standard color number: PANTONE / RAL	/		



ITEM	NAME OF PART	MATERIAL	NOTES
6	Current carrier3	Copper	Sn Plated
5	Current carrier2	Copper	Sn Plated
4	Current carrier1	Copper	Sn Plated
3	Spring	Stainless steel	/
2	Button	PA66+GF%	UL94 V-0
1	Housing	PA66	UL94 V-0

DEGSON		MATERIAL: /	SURFACE/COLOR: /	
		MAT NO./REV: /	MAT STATUS: /	
APPD: Li GL	2022.06.06	NAME		
CHKD: Ma EK	2022.06.06	DS2.5-3L-01P-1Y-00A(H)		
DRFT: Liu CB	2022.06.06	DRAWING NO. /	TYPE CUSTOMER DRAWING	DRAWING STATUS /
REV	ECN	SCALE 1:1	SHEET 1/1	

REV	ECN	DESCRIPTION	DRFT	DATE
00	/	/	Liu CB	2022.06.06