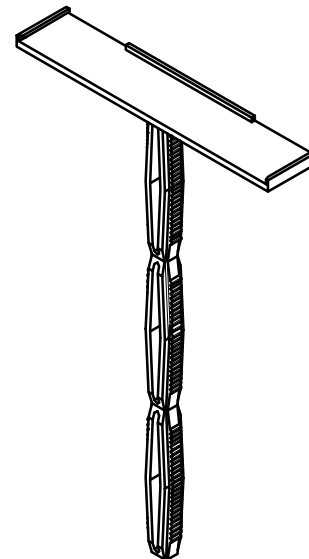
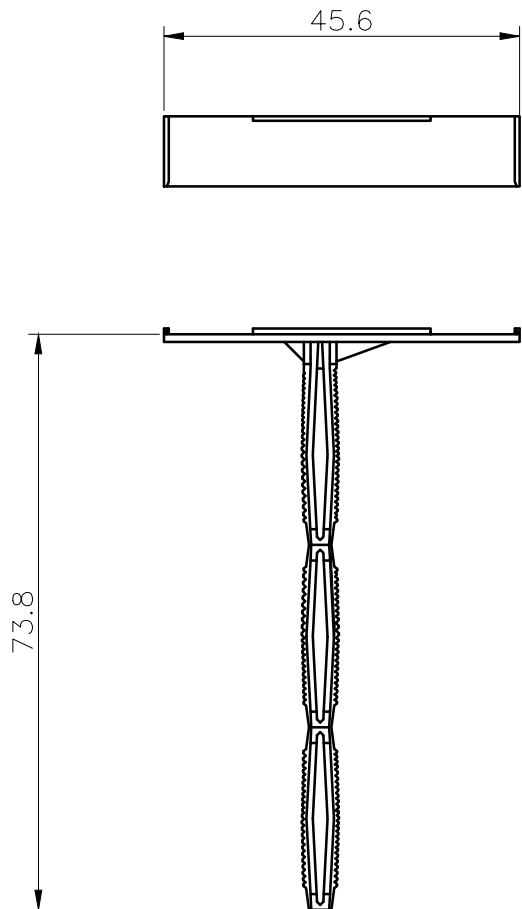


Transfer or duplication of this document as well as the utilization or communication of its contents are prohibited unless explicit authorization is granted. Violations will be liable for compensation. All rights reserved for patent utility model or designs registrations. 未经授权，不得复制或传播本文件内容，否则将承担法律责任。本公司保留对涉及发明、实用新型和外观设计专利的权利。

未注公差/General tolerances(mm)													0.1/10	
0 ~ 3	>3 ~ 6	>6 ~ 10	>10 ~ 18	>18 ~ 30	>30 ~ 50	>50 ~ 80	>80 ~ 120	>120 ~ 180	>180 ~ 250	>250 ~ 315	>315 ~ 400	>400 ~ 500		>500
±0.12	±0.18	±0.22	±0.26	±0.31	±0.37	±0.57	±0.80	±0.93	±1.05	±1.15	±1.60	±2.20	±2.50	±2'



		MATERIAL:PA66		SURFACE/COLOR: /	
APPD: PengM 2022.06.13		MAT NO./REV: / /		MAT STATUS: /	
CHKD: GaoWG 2022.06.13		NAME KLM3-44x8-1Y-00A(H)			
DRFT: XieXD 2022.06.13		DRAWING NO. /		TYPE CUSTOMER DRAWING	
DRAWING STATUS /		SCALE 1:1		SHEET 1/1	

00	/	/	XieXD	2022.06.13
REV	ECN	DESCRIPTION	DRFT	DATE