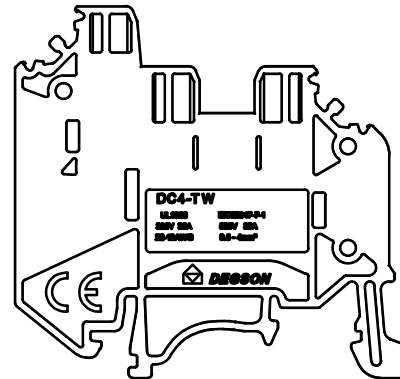
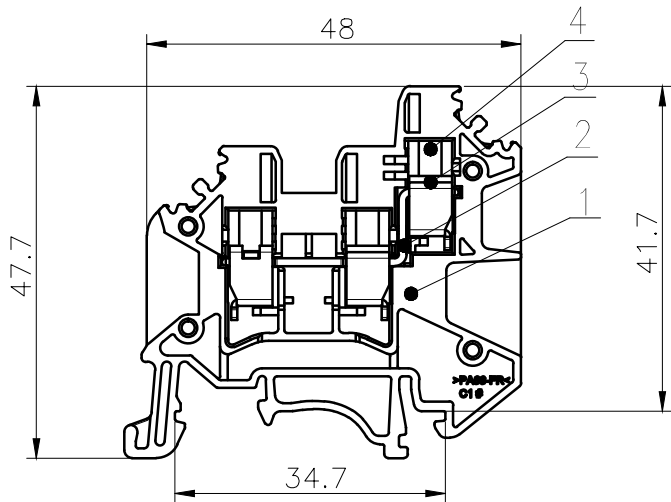
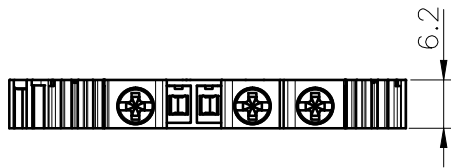


Inventor or copyright owner's consent is required as the illustration or representation of a copy only are permitted unless expressly stated otherwise. All rights reserved by patent, copyright, design registrations, trade names and other proprietary rights.



未注公差/General Tolerances(mm)													0.05/0
0	>3	>6	>10	>18	>30	>50	>80	>120	>180	>250	>315	>400	
±0.08	±0.12	±0.18	±0.22	±0.28	±0.31	±0.37	±0.57	±0.80	±0.83	±1.00	±1.15	±1.60	±2.20
UL 标准/UL Standard:											B	C	D
额定电压/电流/Rated Voltage(V)/Current(A)											300/30	300/30	/
IEC 标准/IEC Standard:													
过压类别/Overvoltage Category/污染等级/Pollution Degree											III/3	III/2	II/2
额定电压/电流/Rated Voltage(V)/Current(A)											500/32	/	/
额定脉冲电压(KV)/Rate Impulse Voltage(KV)											6		
螺丝扭矩/Torque Tightening(N·m/Lb.in)											M3, 0.66/6.0		
线径范围(硬线和软线)/Wire Range(rigid and flexible)(AWG/mm²)											22~10 / 0.5~4		
间距/Pitch(mm)/线数范围/Polos											6.1/01P		
剥线长度/Stripping length(mm)											8~9		
使用温度范围/Operating temperature(°C)											-40~+105		
符合RoHS环保要求/Conform to RoHS											Yes		

4	Cage	Steel	Zn Plated
3	Screw	Steel	M3/Zn Plated
2	Current carrier	Copper	Sn Plated
1	Housing	PA66	UL94V-0
ITEM	NAME OF PART	MATERIAL	NOTES

			MATERIAL:		SURFACE:	
			MAT NO./REV:		MAT STAJS:	
A*P: Li GL	2022.09.20	MAI*	DC4-TW-01P-1Y-00A (H)			
CH: B: Ma EK	2022.09.20					
DRFT: Li HL	2022.09.20	DPAWING NO.	TYPE	DRAWING STATUS	SCALE	SHEET
		⊕ A4			1:1	1/1

REV	ECN	DESCRIPTION	DRFT	DATE