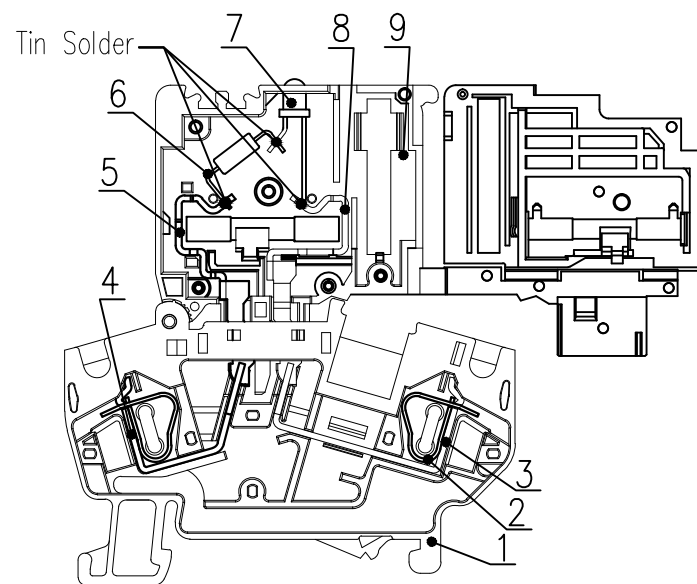
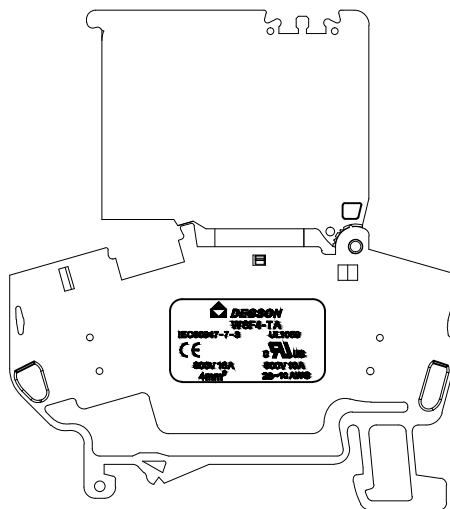
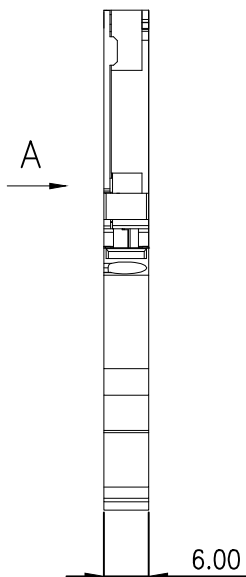
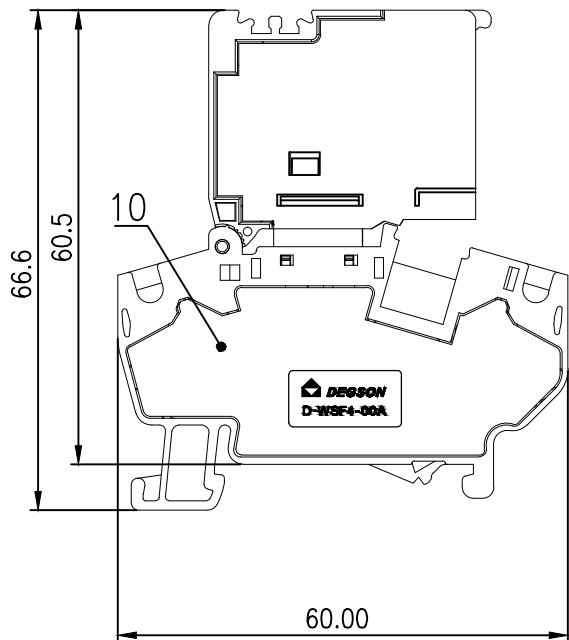


未注公差/General tolerances(mm)													0.1/10	
0 ~ 3	>3 ~ 6	>6 ~ 10	>10 ~ 18	>18 ~ 30	>30 ~ 50	>50 ~ 80	>80 ~ 120	>120 ~ 180	>180 ~ 250	>250 ~ 315	>315 ~ 400	>400 ~ 500		>500
±0.12	±0.18	±0.22	±0.26	±0.31	±0.37	±0.57	±0.80	±0.93	±1.05	±1.15	±1.60	±2.20	±2.50	±2'



A Direction
(W/O Cover)

UL 标准/UL Standard:	B	C	D
额定电压/电流/Rated Voltage(V)/Current(A)	/	/	/
EC 标准/IEC Standard:			
过压类别/Overvoltage Category/污染等级/Pollution Degree	III/3	/	/
额定电压/电流/Rated Voltage(V)/Current(A)	24V/6.3A	/	/
额定脉冲电压(KV)/Rate Impulse Voltage(KV)	8	/	/
线径范围(硬线和软线)/Wire Range(rigid and flexible)(mm ² /AWG)	0.2~4/28~10		
间距/Pitch(mm)	6.0		
保险丝/电流Fuse/Current(A)	φ5x20mm/6.3A		
剥线长度/Stripping length(mm)	10-12		
使用温度范围/Operating temperature(°C)	-40~+105		
符合RoHS环保要求/Conform to RoHS	Yes		
标准颜色编号/Standard color number: PANTONE / RAL	/		

10	Cover	PA66	UL94V-0
9	Fuse Housing	PA66	UL94V-0
8	Current carrier 4	Copper	Sn Plated
7	LED		
6	Resistance		
5	Current carrier 3	Copper	Sn Plated
4	Current carrier 2	Copper	Sn Plated
3	Current carrier 1	Copper	Sn Plated
2	Spring	Stainless steel	
1	Housing	PA66	UL94V-0

ITEM	NAME OF PART	MATERIAL	NOTES
------	--------------	----------	-------

REV	ECN	DESCRIPTION	DRFT	DATE
-----	-----	-------------	------	------

MATERIAL: /	SURFACE: /			
MAT NO.: /	宁波高松电子有限公司 DEGSON® NINGBO DEGSON ELECTRICAL CO., LTD			
STATUS: /				
APPD: Li GL 2020.04.04	NAME: WSF4-TA-01P-1Y-08A(H)			
CHKD: Mao J 2020.04.04	DRAWING NO.: WSF4-TA-C01			
DRFT: LZH 2020.04.04	REV		TO-1	
⊕	SIZE: A4	SCALE: 1:1	SHEET	1/1