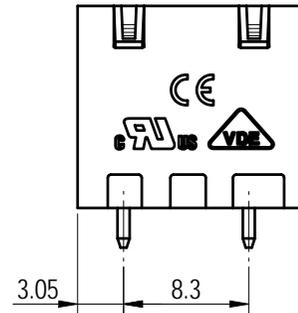
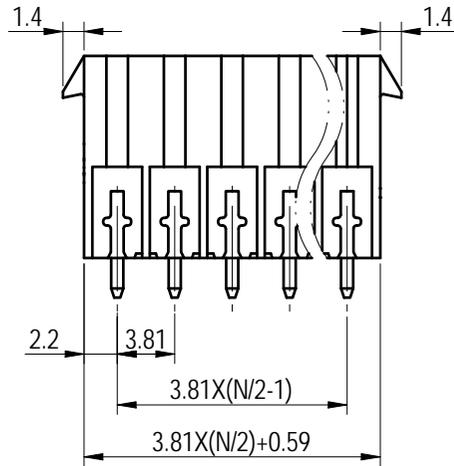
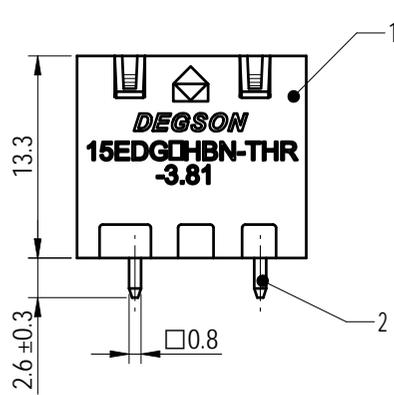
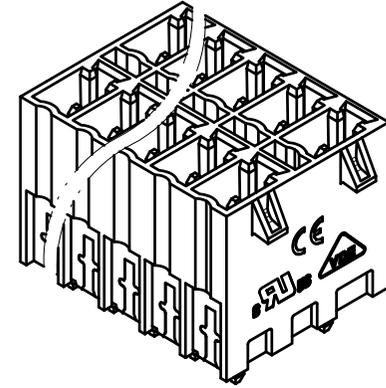


未注公差/General tolerances (mm)													0.1/10	
0	>3	>6	>10	>18	>30	>50	>80	>120	>180	>250	>315	>400		>500
±0.12	±0.18	±0.22	±0.26	±0.31	±0.37	±0.57	±0.80	±0.93	±1.05	±1.15	±1.60	±2.20	±2.50	±2'



Note:
The A&Z(H) in the name means: A(H) and Z(H).

ITEM	NAME OF PART	MATERIAL	NOTES
2	Pin	Copper	Sn plated
1	Housing	Thermoplastic	UL94V-0

UL 标准/UL Standard:	B	C	D
额定电压/电流/Rated Voltage(V)/Current(A)	300/8	/	300/8
IEC 标准/IEC Standard:			
过压类别/Overtolerance Category/污染等级/Pollution Degree	III/3	III/2	II/2
额定电压/电流/Rated Voltage(V)/Current(A)	160/8	160/8	250/8
额定脉冲电压(KV)/Rate Impulse Voltage(KV)	2.5	2.5	2.5
间距/Pitch(mm)/线数范围/Poles	3.81/N=04~48P		
使用温度范围/Operating temperature(°C)	-40~+130		
符合RoHS环保要求/Conform to RoHS	Yes		

DEGSON		MATERIAL:	SURFACE/COLOR:
APPD: 兰春华	2022.12.26	MAT NO./REV: / 00	MAT STATUS: 批量
CHKD: 陈招	2022.12.20	NAME	
DRFT: 龚徐涛	2022.12.19	15EDGVHBN-THR-3.81-XXP-1Y-00A&Z(H)	
DRAWING NO. 200029346	TYPE CUSTOMER DRAWING	DRAWING STATUS 已发布	SCALE 2:1 SHEET 1/1

REV	ECN	DESCRIPTION	DRFT	DATE
00			龚徐涛	2022.12.19

Transfer or duplication of this document as well as the utilization or communication of its contents are prohibited unless authorized in writing by DEGSON. All rights reserved for patent. 除专利号外，其他内容均受法律保护。未经授权，不得复制或传播。 0.1/10