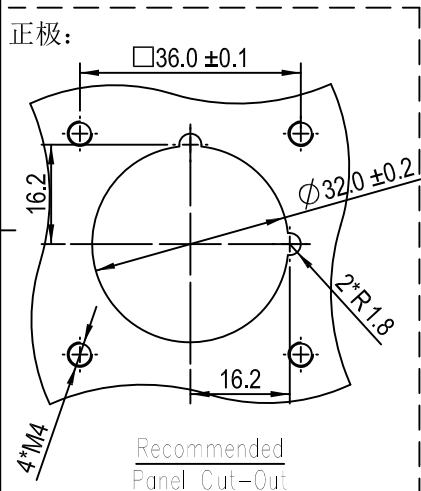
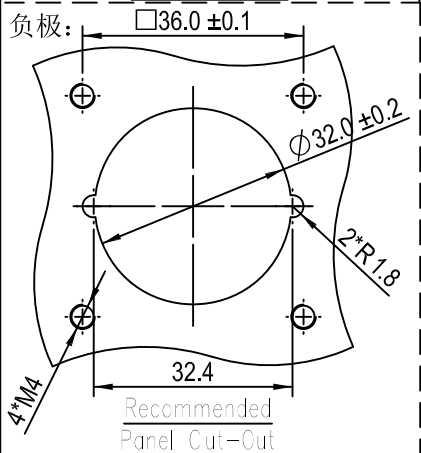


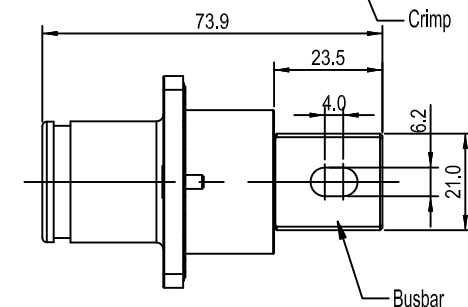
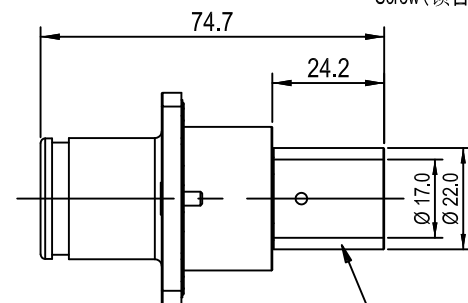
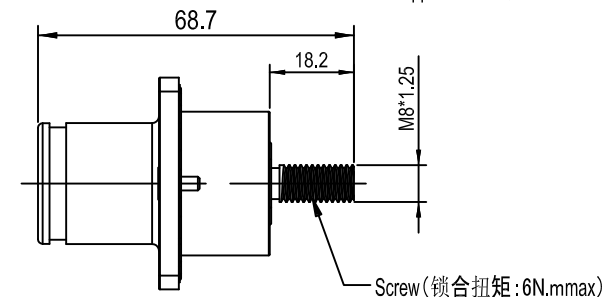
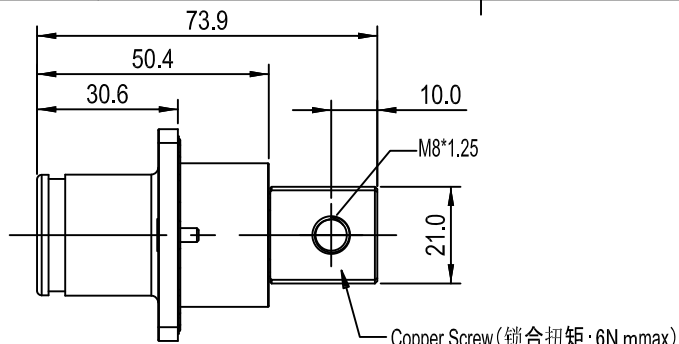
其他接线方式：形式一：



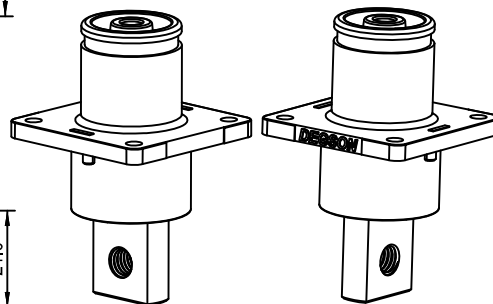
形式二：



形式三：



仅Copper Screw的形式3D展示：



ESS-400A-250-X-XX-00

Color: BK : Black 负极
OR : Orange 正极
RD : Red 正极

Contact Termination: B : Busbar
C : Crimp
S : Screw
B/S : Copper Screw

技术要求/Technical requirements:	
颜色(Color)	Black、Orange、Red
锁紧方式(Locking method)	卡扣(Buckle)
接线方式(Terminal)	Busbar、Screw、Crimp、Copper
外壳材料(Housing material)	PA+GF
接触件材料(Connector material)	铜合金(Copper alloy)
插入力(Insertion force)	80N Max
拔出力(Withdrawal force)	>10N
插拔次数/Mechanical working life(mating cycles)	100
安装螺母紧固扭矩(Screw torque)	M4/0.4~0.7N.m
接线规格(Wiring specifications)	250kcmil
建议剥线长度(Suggested stripping length)	22~24mm(Crimp type)
线径OD(Wire diameter)	20~22mm(Crimp type)
额定电压(Rated voltage)	1500V DC/min
耐电压(Withstanding voltage)	6800V
额定电流(Rated current)	400A
绝缘电阻(Insulation resistance)	≥5000MΩ(drying)
接触电阻(Contact resistance)	≤0.2mΩ
过电压等级(Overvoltage category)	III
污染等级(Pollution degree)	3
使用温度范围(Operating temperature)	-40~+125°C (including temperature rise)
盐雾(Salt spray)	48H
储存温度(Storage temperature)	-40~+85°C
阻燃等级(Flame retardant ability)	UL94-V0
防护等级(Ingress protection)	IP67(Mated)
符合RoHS环保要求(Conform to RoHS)	Yes

Dimensional tolerance(mm)				
0	>30	>60	>100	>150
~	~	~	~	~
±0.25	±0.35	±0.50	±0.80	±1.0



MATERIAL:	SURFACE/COLOR:
MAT NO./REV: /	MAT STATUS:
NAME	ESS-400A-250-X-XX-00

REV	ECN	DESCRIPTION	DRFT	DATE	DRAWING NO.	TYPE	DRAWING STATUS	SCALE	SHEET
						CUSTOMER DRAWING		1:1	1/1

Transfer or duplication of this document as well as the utilization or communication of its contents are prohibited unless explicit authorization is granted. Violations will be liable for compensation. All rights reserved for patent. 复制或再行传播此文件及其内容，或以任何形式公开、复制或用于任何用途，均为侵权。本公司保留追究法律责任的权利。 2023.08.10