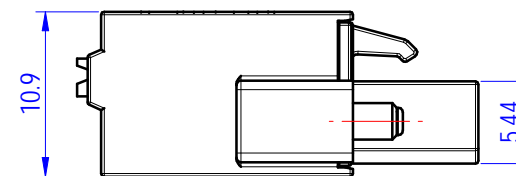
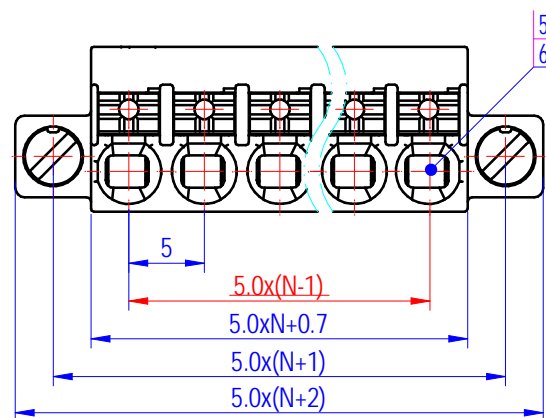
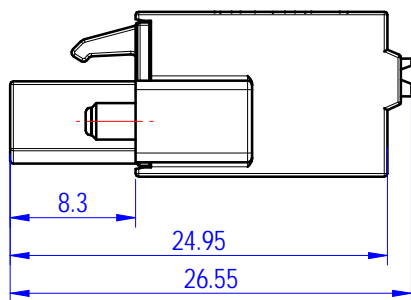
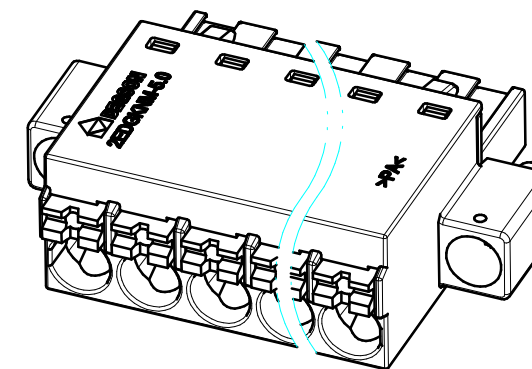
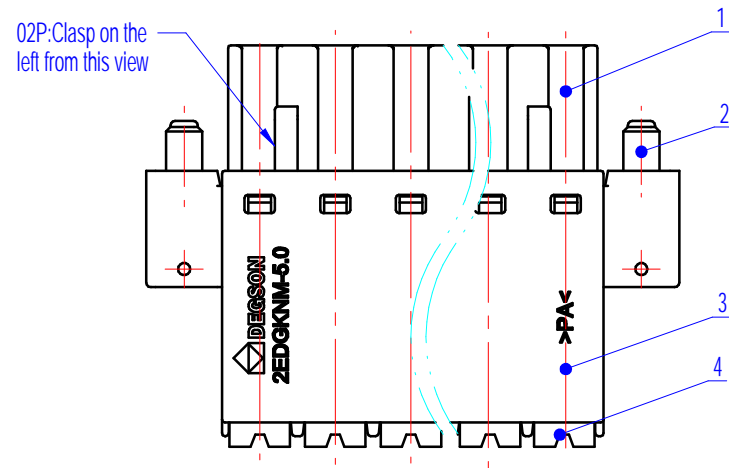


未注公差/General tolerances (mm)											0.1/10 ±2'		
0 ~ 3	>3 ~ 6	>6 ~ 10	>10 ~ 18	>18 ~ 30	>30 ~ 50	>50 ~ 80	>80 ~ 120	>120 ~ 180	>180 ~ 250	>250 ~ 315		>315 ~ 400	>400 ~ 500
±0.12	±0.18	±0.22	±0.26	±0.31	±0.37	±0.57	±0.80	±0.93	±1.05	±1.15	±1.60	±2.20	±2.50



ITEM	NAME OF PART	MATERIAL	NOTES
6	Clamp	Copper alloy	Sn Plated
5	Spring	Stainless steel	/
4	Button	PA66+GF	UL94V-0
3	Housing	PA66	UL94V-0
2	Screw	Steel	M2.5/Zn Plated
1	Cover	PA66	UL94V-0

UL 标准/UL Standard:	B	C	D
额定电压/电涌/Rated Voltage(V)/Current(A)	300V/10	/	300/10
IEC 标准/IEC Standard:			
过压类别/Overvoltage Category/污染等级/Pollution Degree	III/3	III/2	II/2
额定电压/电涌/Rated Voltage(V)/Current(A)	320/12	400/12	630/12
额定脉冲电压(KV)/Rate Impulse Voltage(KV)	4	4	4
螺丝扭矩/Torque Tightening(N·m/Lb.in)	M2.5, 0.3/2.66		
线径范围(硬线和软线)/Wire Range(rigid and flexible)(AWG/mm ²)	24~16/ 0.2~2.5		
间距/Pitch(mm)/线数范围/Poles	5.0/N=02~24P		
剥线长度/Stripping length(mm)	11		
使用温度范围/Operating temperature(°C)	-40~+105		
符合RoHS环保要求/Conform to RoHS	Yes		

DEGSON		MATERIAL:	SURFACE/COLOR: PANTONE 556C		
APPD:		MAT NO./REV:	/ 00.01	MAT STATUS:	小批量
CHKD:		NAME			
DRFT:		2EDGKNM-5. 0-XXP-1Y-00Z (H)			
REV	ECN	DESCRIPTION	DRFT	DATE	
DRAWING NO. 200031047		TYPE CUSTOMER DRAWING	DRAWING STATUS work	SCALE 2:1	SHEET 1/2

REV	ECN	DESCRIPTION	DRFT	DATE
00				

Transfer or duplication of this document, as well as the utilization or communication of its contents are prohibited unless explicit authorization is granted. Violations will be liable for compensation. All rights reserved for patent, utility model or design registrations. 除经书面许可外, 复制或传播本文件内容, 或在本文件内容基础上进行任何形式的使用, 均属于侵权行为, 本公司保留追究法律责任。 未经授权, 禁止复制或传播本文件内容。 本公司保留追究法律责任。 未经授权, 禁止复制或传播本文件内容。