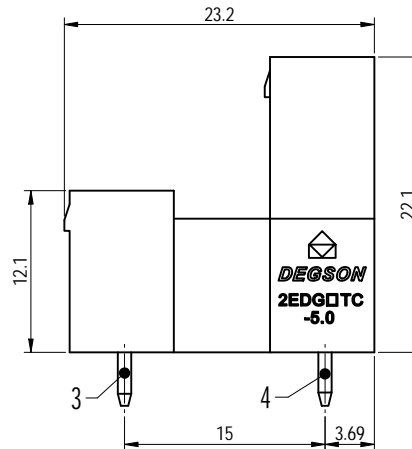
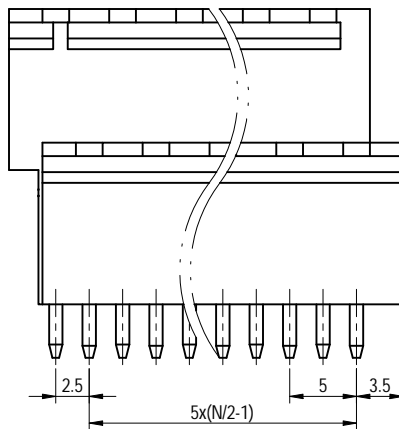
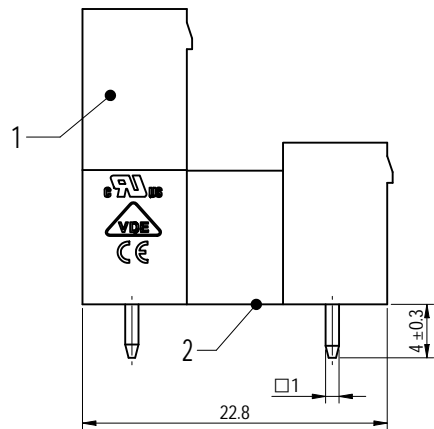
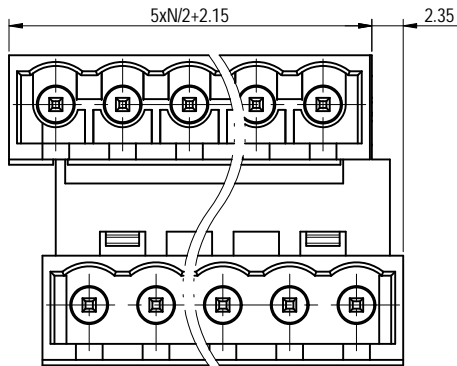
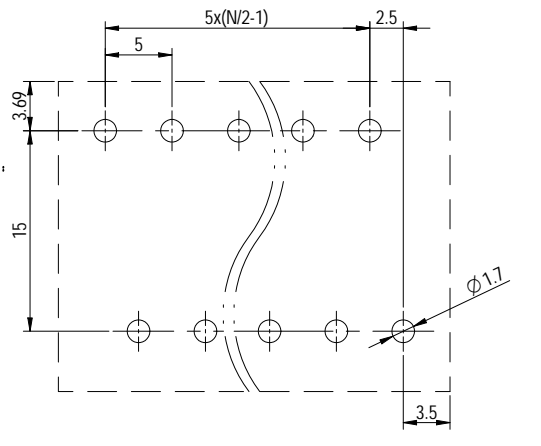
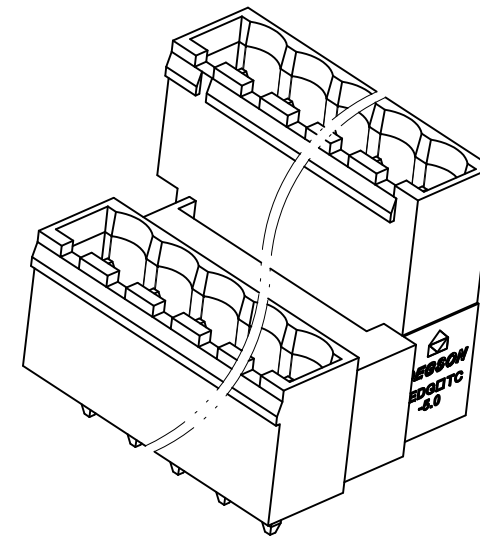


PCB LAYOUT



公差/General tolerances (mm)													0.1/10	
0	>3	>6	>10	>18	>30	>50	>80	>120	>180	>250	>315	>400	>500	D ±2
~	6	10	18	30	50	80	120	180	250	315	400	500		
±0.12	±0.18	±0.22	±0.26	±0.31	±0.37	±0.57	±0.80	±0.93	±1.05	±1.15	±1.60	±2.20	±2.50	



Note:  
The A&Z(H) in the name means: A(H) and Z(H).

ITEM	NAME OF PART	MATERIAL	NOTES
4	Pin2	Copper	Sn Plated
3	Pin1	Copper	Sn Plated
2	Cover	PA66	UL94V-0
1	Housing	PA66	UL94V-0

UL 标准/UL Standard:	B	C	D
额定电压/电流/Rated Voltage(V)/Current(A)	300/15	/	300/10
IEC 标准/IEC Standard:			
过压类别/Overvoltage Category/污染等级/Pollution Degree	III/3	II/2	II/2
额定电压/电流/Rated Voltage(V)/Current(A)	/	320/10	/
额定脉冲电压(KV)/Rate Impulse Voltage(KV)	/	4	/
间距/Pitch(mm)/线数范围/Poles		5.0/N=04-48P	
使用温度范围/Operating temperature(°C)		-40~+105	
符合RoHS环保要求/Conform to RoHS		Yes	

	MATERIAL:	SURFACE/COLOR:		
	MAT NO./REV:	- / 00	MAT STATUS: 批量	
APPD: 兰春华	2023.02.23	NAME: 2EDGVT-C-5.0-XXP-1Y-00A&Z(H)		
CHKD: 黄耀志	2023.02.23	DRAWING NO.	TYPE	DRAWING STATUS
DRFT: 朱岳鹏	2023.02.22	200020269	CUSTOMER DRAWING	已发布
REV	ECN	DESCRIPTION	DATE	SCALE
00			2023.02.22	2.5:1
				SHEET
				1/1

Transfer or duplication of this document as well as the utilization of its contents without the written permission of DEGSON is prohibited. All rights reserved for patent. 未经授权复制或传播本文件及其内容，或未经许可使用其内容，均属侵权行为。DEGSON 保留所有权利。未经许可，不得复制或传播本文件及其内容。