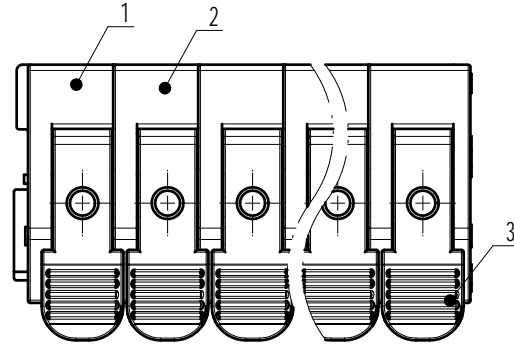
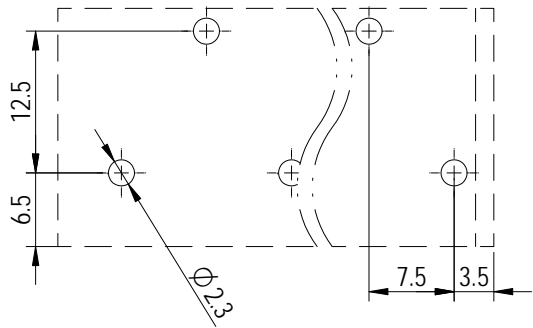


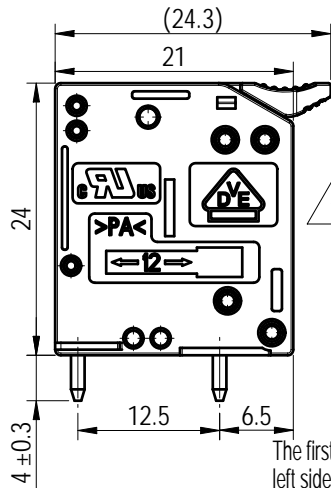
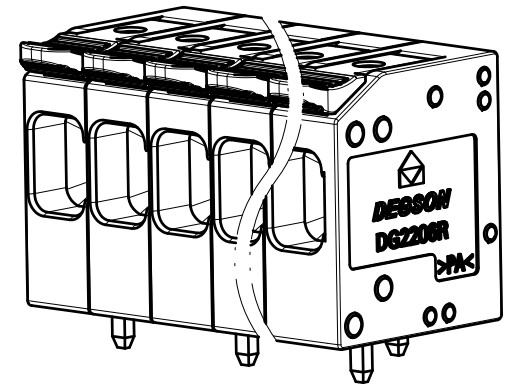
PCB LAYOUT



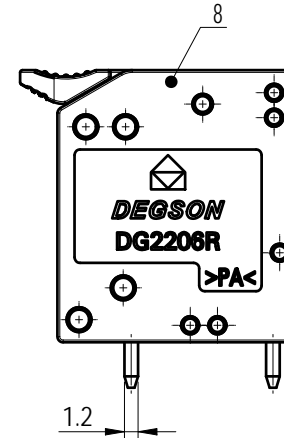
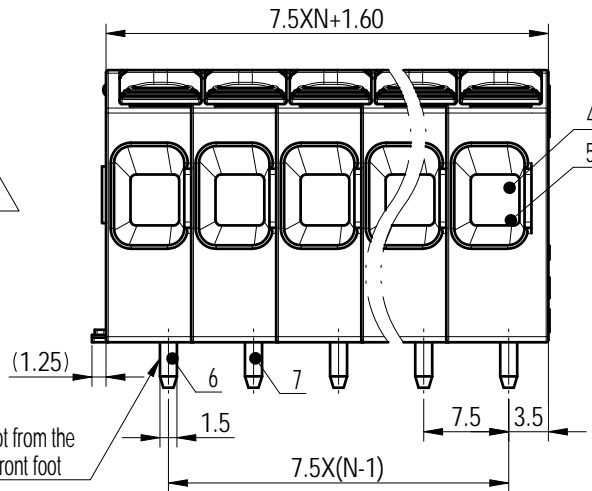
未注公差/General tolerances (mm)													0.1/10
0	>3	>6	>10	>18	>30	>50	>80	>120	>180	>250	>315	>400	
~3	~6	~10	~18	~30	~50	~80	~120	~180	~250	~315	~400	~500	>500
± 0.12	± 0.18	± 0.22	± 0.26	± 0.31	± 0.37	± 0.57	± 0.80	± 0.93	± 1.05	± 1.15	± 1.60	± 2.20	± 2.50

UL 标准/UL Standard:	B	C	D
额定电压/电流/Rated Voltage(V)/Current(A)	600V/41	600V/41	/
IEC 标准/IEC Standard:			
过压类别/Overvoltage Category/污染等级/Pollution Degree	III/3	III/2	II/2
额定电压/电流/Rated Voltage(V)/Current(A)	800/41	1000/41	1000/41
额定脉冲电压(KV)/Rate Impulse Voltage(KV)	8	8	8
线径范围(硬线和软线)/Wire Range(rigid and flexible)(AWG/mm ²)	24~8 / 0.2~6.10(sol)		
间距/Pitch(mm)/线数范围/Polos	7.5/N=02~12P		
剥线长度/Stripping length(mm)	11~13		
使用温度范围/Operating temperature(°C)	-40~+105		
符合RoHS环保要求/Conform to RoHS	Yes		

If the dimensions are not marked, please refer to the 3D file



The first foot from the left side is front foot



ITEM	NAME OF PART	MATERIAL	NOTES
8	Cover	PA66	UL94V-0
7	Back Pin header	Copper	Sn Plated
6	Fornt Pin header	Copper	Sn Plated
5	Spring	Stainless steel	/
4	Block	Stainless steel	/
3	Lever	PA66-GF	UL94V-0
2	Back Housing	PA66	UL94V-0
1	Front Housing	PA66	UL94V-0

		MATERIAL:		SURFACE/COLOR:	
		MAT NO./REV: /		MAT STATUS: 批量	
APPD: 朱伟明	2022.12.27	NAME			
CHKD: 张玉华	2022.12.23	DG2206R-7.5-DA-XXP-1Y-00Z (H)			
DRFT: 阮帅帅	2022.12.22	DRAWING NO.	TYPE	DRAWING STATUS	SCALE
		200100698	CUSTOMER DRAWING	已发布	1.5:1
					SHEET 1/1

REV	ECN	DESCRIPTION	DRFT	DATE
01		1x由00升为01增加VDE刻字	阮帅帅	2022.12.22

Transfer or duplication of this document as well as the utilization or communication of its contents are prohibited unless authorized in writing by the copyright holder. All rights reserved for patent, utility model or design registrations. 除专利、实用新型、外观设计、软件著作权、商标、印刷、光磁等文件的所有权外，其他内容均保留。未经本公司书面许可，任何单位和个人不得擅自复制或传播。 01